

compact and economic

SCANLAB's basiCube scan heads are the ideal entry-level 2D scan systems for deflecting and positioning laser beams in the working plane.

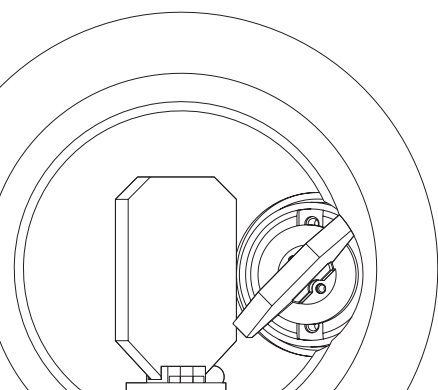
Key Features

- Compact & light-weight design
- Very fast writing speed
- Excellent price/performance ratio

The basiCube scan head series offers superior cost effectiveness and is optimized for coding and marking.

Typical Applications

- Marking
- Processing-on-the-fly



Specifications

Dynamics

	basiCube 10	basiCube 14
Aperture [mm]	10	14
Tracking error [ms]	0.14	0.18
Typical speeds ⁽¹⁾		
Marking speed [m/s]	2.5	2.0
Positioning speed [m/s]	12.8	12.8
Writing speed ⁽²⁾		
Good writing quality [cps]	800	600
High writing quality [cps]	570	375
Step response time ⁽³⁾		
1% of full scale [ms]	0.35	0.45
10% of full scale [ms]	1.0	1.4

⁽¹⁾ with F-Theta objective, f = 160 mm

⁽²⁾ single-stroke characters of 1 mm height

⁽³⁾ settling to 1/1000 of full scale

Precision & Stability

Repeatability (RMS) [μrad]	< 2.0
Positioning resolution [Bit] ⁽⁴⁾	16
Nonlinearity ⁽⁵⁾	< 3.5 mrad
Temperature drift	
Offset [μrad/K]	< 30
Gain [ppm/K]	< 160
Long-term drift	
8-h-drift (after 30 min warm-up) ⁽⁶⁾	
Offset [μrad]	< 100
Gain [ppm]	< 250

⁽⁴⁾ based on the full angle range (e.g. positioning resolution 11 μrad for angle range ±0.36 rad)

⁽⁵⁾ related to 0.77 rad

⁽⁶⁾ at constant ambient temperature and load

Further Specifications

Optical performance

Typical scan angle [rad]	±0.35
Gain error [mrad]	< 5
Zero offset [mrad]	< 5

Power requirements

basiCube 10	±15 V DC; max. 3 A each
basiCube 14	available variants: 24 V DC, 30 V DC; max. 3 A each

Interface (digital)

SL2-100, XY2-100

IP protection class

IP 50

Operating temperature [°C]

25 ± 10

(all angles are in optical degrees)

Options & Variants

Extensions

- varioSCAN II: Extension into a 3-axis scan system

Optics

- Coatings for the following wavelengths:
basiCube 10: 355 nm, 532 nm, 1064 nm, 10600 nm
basiCube 14: 355 nm, 1064 nm, 10600 nm
- Suitable objectives available for various image fields and focal lengths

Control Boards

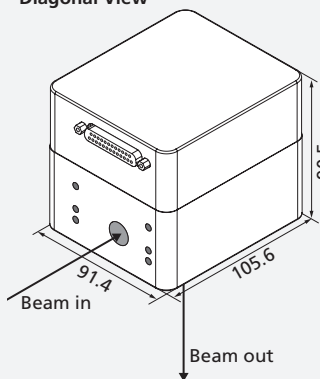
- RTC4 (PCIe, Ethernet), RTC5, RTC6 (PCIe, Ethernet)

Software

- Flexible calibration solution: CalibrationLibrary

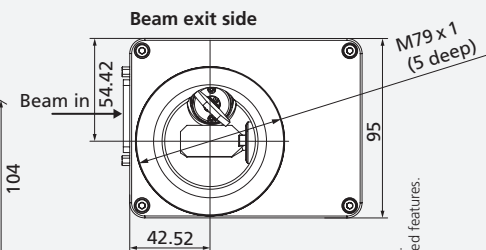
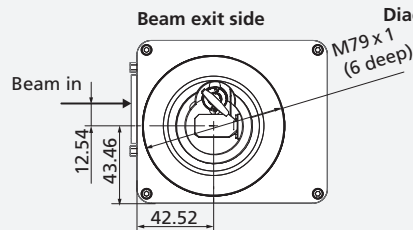
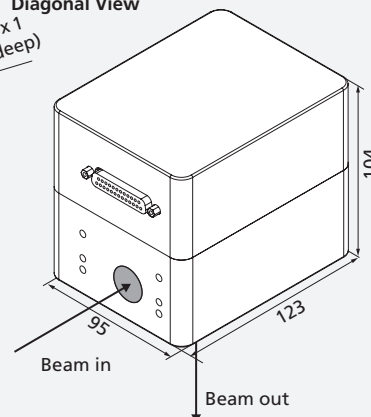
basiCube10

Diagonal View



basiCube14

Diagonal View



	basiCube 10	basiCube 14
Aperture	10 mm	14 mm
Beam displacement	12.54 mm	16.42 mm
Weight	1.5 kg	2.15 kg

all dimensions in mm

SCANcalc App



Google Play

App Store

06/2023 Information is subject to change without notice. Product photos are non-binding and may show customized features.